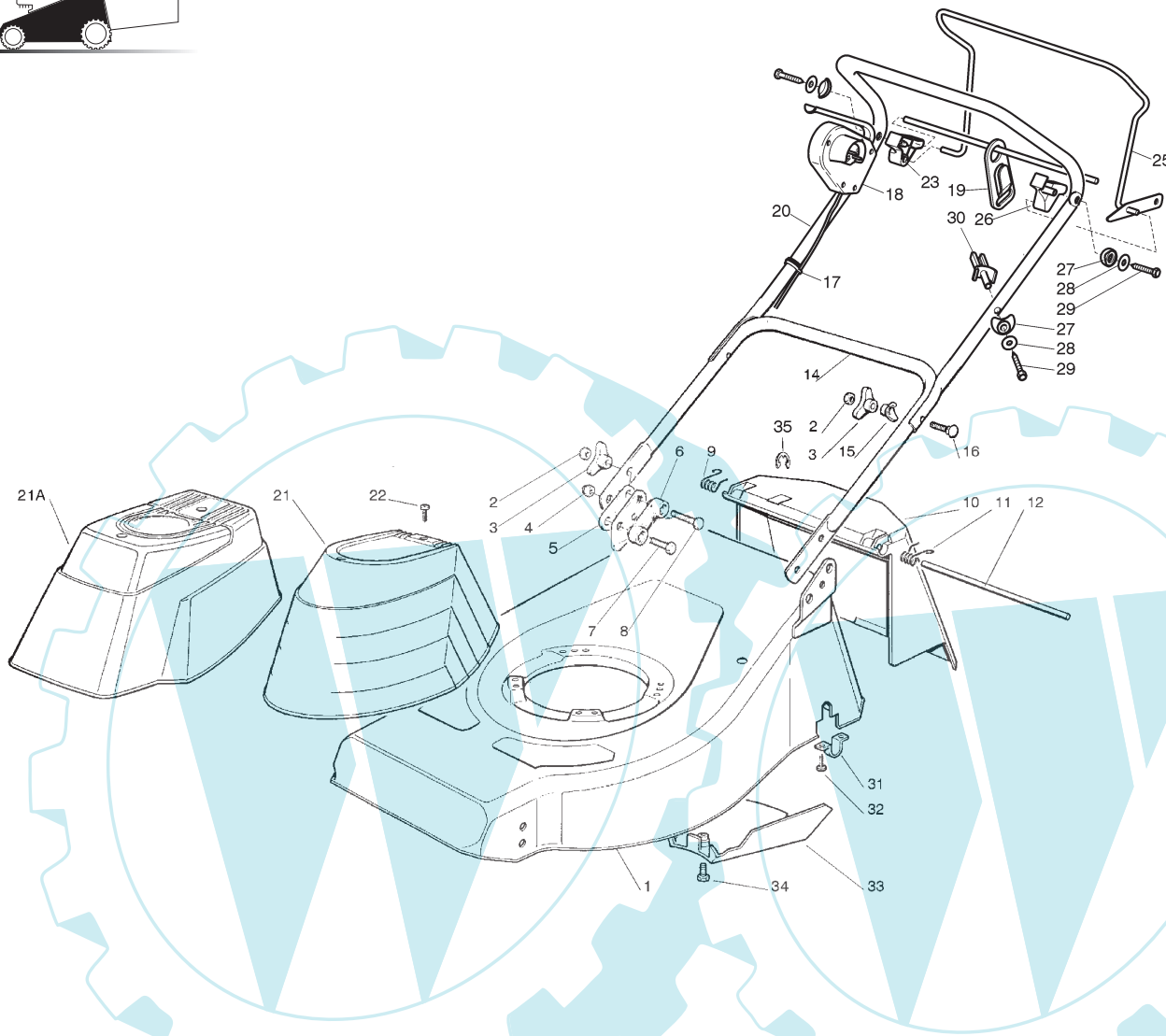


01D.015



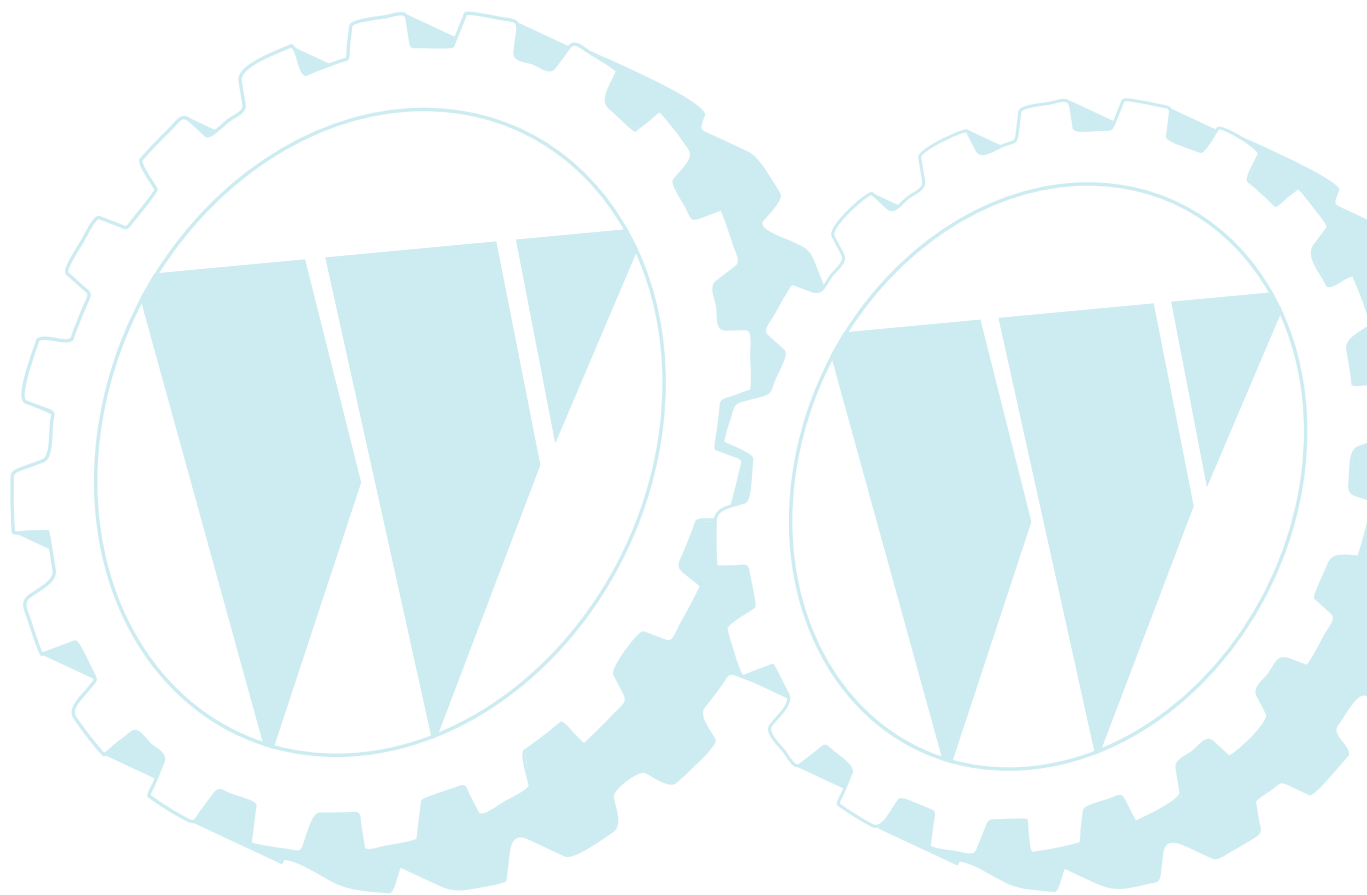
- H 350
- K 350
- K 390
- C 350
- C 390
- NG 410 / 410 S
- NG 460
- NG 414
- NG 464
- NG 464 TR
- NG 464 TR-E
- NG 504
- NG 504 TR
- NG 504 TR-E
- R 430 / 430 S
- R 480
- R 430 TR
- R 434
- R 484
- R 534
- R 484 TR / TR-E
- R 534 TR / TR-E
- RL 430 / 430 S
- RL 480
- RL 430 TR
- RL 434
- RL 484
- RL 534
- RL 484 TR
- RL 484 TR-E
- RL 534 TR
- RL 534 TR-E
- TD 430 / 430 S
- TD 480
- TD 430 TR
- TD 434
- TD 484
- TD 534
- TD 484 TR
- TD 484 TR-E
- TD 534 TR
- TD 534 TR-E
- TDL 430 / 430 S
- TDL 480
- TDL 430 TR
- TDL 434
- TDL 484
- TDL 534
- TDL 484 TR
- TDL 484 TR-E
- TDL 534 TR
- TDL 534 TR-E
- CA 430
- CA 480
- CA 434
- CA 484
- CA 534
- CA 430 TR
- CA 434 TR
- CA 484 TR / TR-E
- CA 534 TR / TR-E
- CAL 430
- CAL 480
- CAL 434
- CAL 484
- CAL 534
- CAL 430 TR
- CAL 434 TR
- CAL 484 TR / TR-E
- CAL 534 TR / TR-E
- T 430 / 430 S
- T 480
- T 434
- T 484
- T 484 TR
- T 484 TR-E
- PAN 504
- PAN 504 TR
- PAN 504 TR-E
- PAN 504 TR-E 3S
- PAN 504 TR 3S
- NP 534
- NP 534 TR
- NP 534 TR-E
- NP 534 TR 3S
- NP 534 TR-E 3S
- S 474 L

01T.015

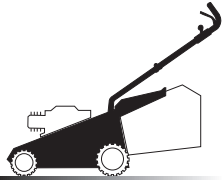
| Pos | Code | Q.ty | Descrizione | Description | Description | Beschreibung |
|-----|-------------|------|-------------------------|--------------------|------------------------------|------------------|
| 1 | 81001633/ 0 | 1 | CHASSIS ROSSO | DECK RED | CHÂSSIS ROUGE | GEHÄUSE ROTES |
| - | 81001635/ 0 | 1 | CHASSIS VERDE | DECK GREEN | CHÂSSIS VERT | GEHÄUSE GRÜNES |
| - | 81001634/ 0 | 1 | CHASSIS GIALLO | DECK YELLOW | CHÂSSIS JAUNE | GEHÄUSE GELBES |
| 2 | 12293200/ 0 | 4 | DADO | NUT | ECROU | MUTTER |
| 3 | 22399900/ 0 | 4 | MANOPOLINA | KNOB | POIGNÉE | GRIFF |
| 4 | 12155000/ 0 | 2 | DADO | NUT | ECROU | MUTTER |
| 5 | 22551574/ 0 | 2 | PIASTRINA ESTERNA | PLATE, OUTSIDE | PLAQUETTE EXTERNE | PLATTE, ÄUßERE |
| 6 | 22551575/ 0 | 2 | PIASTRINA INTERNA | PLATE, INSIDE | PLAQUETTE INTERNE | PLATTE, INNERE |
| 7 | 12793300/ 0 | 2 | VITE | SCREW | VIS | SCHRAUBE |
| 8 | 12691115/ 0 | 2 | VITE | SCREW | VIS | SCHRAUBE |
| 9 | 22450410/ 1 | 1 | MOLLA DX | RIGHT SPRING | RESSORT DROITE | RECHTE FEDER |
| 10 | 22600028/ 4 | 1 | PARASASSI | STONE-GUARD | PARE-PIERRES | PRALLBLECH |
| 11 | 22450420/ 1 | 1 | MOLLA SX | LEFT SPRING | RESSORT GAUCHE | LINKE FEDER |
| 12 | 22517906/ 1 | 1 | PERNO | PIN | PIVOT | BOLZEN |
| 14 | 81006512/ 0 | 1 | MANICO, PARTE INFERIORE | HANDLE, LOWER PART | MANCHERON, PARTIE INFÉRIEURE | HOLM, UNTERTEIL |
| 15 | 22680006/ 1 | 2 | RONDELLA | WASHER | RONDELLE | SCHLEIBE |
| 16 | 12819201/ 0 | 2 | VITE | SCREW | VIS | SCHRAUBE |
| 17 | 22192000/ 1 | 2 | FASCETTA ANCORAGGIO | ANCHOR CLAMP | COLLIER ANCRAGE | BOWDENZUGHALTER |
| 18 | 18710603/ 0 | 1 | SALVAMOTORE | DEAD HAND SWITCH | INT. MAIN MORTE | TOT MANSCHALTER |
| 19 | 22195101/ 1 | 1 | FERMACAVO | FAIR LEAD | FIXATION CABLE | KABELBEFESTIGUNG |
| 20 | 81006957/ 0 | 1 | MANICO, PARTE SUPERIORE | HANDLE, UPPER PART | MANCHERON, PARTIE SUPÉRIEURE | HOLM, OBERTEIL |
| 21 | 22055033/ 1 | 1 | CAPOTTINA | COVER | CAPOT | HAUBE |
| 21A | 22055045/ 1 | 1 | CAPOTTINA | COVER | CAPOT | HAUBE |
| 22 | 12728680/ 0 | 2 | VITE | SCREW | VIS | SCHRAUBE |
| 23 | 22806518/ 0 | 1 | SUPPORTO DESTRO | SUPPORT, RIGHT | SUPPORT DROITE | HALTER, RECHTER |
| 24 | 22020320/ 0 | 1 | AGGANCIAMENTO FERMACAVO | FAIRLEAD BEARING | SUPPORT SERRECABLE | KABELHALTER |

| | | | | | | | |
|----|-------------|---|-------------------|-------------------|----------------------|-----------------|--|
| 25 | 81001245/ 0 | 1 | LEVA TRAZIONE | DRIVING LEVER | LEVIER TRACTION | ANTRIEBHEBEL | |
| 26 | 22806519/ 0 | 1 | SUPPORTO SINISTRO | SUPPORT, LEFT | SUPPORT GAUCHE | HALTER, LINKER | |
| 30 | 22806520/ 0 | 1 | SUPPORTO REGISTRO | SUPPORT, ADJUSTER | SUPPORT ECROU REG. | HALTER, REGLER | |
| 31 | 22680007/ 0 | 3 | RONDELLA | WASHER | RONDELLE | SCHIBE | |
| 32 | 12523040/ 0 | 3 | RONDELLA | WASHER | RONDELLE | SCHEIBE | |
| 33 | 12735103/ 0 | 3 | VITE | SCREW | VIS | SCHRAUBE | |
| 34 | 22545152/ 0 | 2 | PIASTRINA | PLATE | PLAQUETTE | PLATTE | |
| 35 | 12731350/ 0 | 4 | VITE | SCREW | VIS | SCHRAUBE | |
| 36 | 22060170/ 0 | 1 | CARTER CINGHIA | PROTECTION, BELT | PROTECTION COURROIRE | SCHUTZ, RIEMEN | |
| 37 | 12727791/ 0 | 1 | VITE | SCREW | VIS | SCHRAUBE | |
| 38 | 12000930/ 0 | 1 | ANELLO ELASTICO | SNAP RING | ANNEAU RESSORT | SPRENGRING | |
| - | 81008596/ 1 | | DOTAZIONE VITERIA | OUTFIT, SCREWS | DOTATION VISSERIE | SATZ, SCHRAUBEN | |

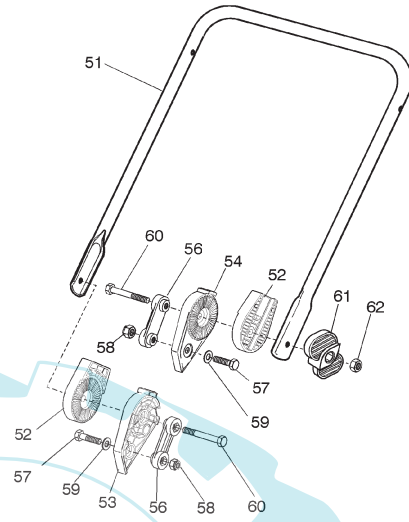
H 350
 K 350
 K 390
 C 350
 C 390
 NG 410 / 410 S
 NG 460
 NG 414
 NG 464
 NG 464 TR
 NG 464 TR-E
 NG 504
 NG 504 TR
 NG 504 TR-E
 R 430 / 430 S
 R 480
 R 430 TR
 R 434
 R 484
 R 534
 R 484 TR / TR-E
 R 534 TR / TR-E
 RL 430 / 430 S
 RL 480
 RL 430 TR
 RL 434
 RL 484
 RL 534
 RL 484 TR
 RL 484 TR-E
 RL 534 TR
 RL 534 TR-E
 TD 430 / 430 S
 TD 480
 TD 430 TR
 TD 434
 TD 484
 TD 534
 TD 484 TR
 TD 484 TR-E
 TD 534 TR
 TD 534 TR-E
 TDL 430 / 430 S
 TDL 480
 TDL 430 TR
 TDL 434
 TDL 484
 TDL 534
 TDL 484 TR
 TDL 484 TR-E
 TDL 534 TR
 TDL 534 TR-E
 CA 430
 CA 480
 CA 434
 CA 484
 CA 534
 CA 430 TR
 CA 434 TR
 CA 484 TR / TR-E
 CA 534 TR / TR-E
 CAL 430
 CAL 480
 CAL 434
 CAL 484
 CAL 534
 CAL 430 TR
 CAL 434 TR
 CAL 484 TR / TR-E
 CAL 534 TR / TR-E
 T 430 / 430 S
 T 480
 T 434
 T 484
 T 484 TR
 T 484 TR-E
 PAN 504
 PAN 504 TR
 PAN 504 TR-E
 PAN 504 TR-3S
 PAN 504 TR 3S
 NP 534
 NP 534 TR
 NP 534 TR-E
 NP 534 TR 3S
 NP 534 TR-E 3S
 S 474 L



1



01D.002



VARIANTE REGOLAZIONE MANICO - HANDLE ADJUSTMENT VARIANT - VARIANTE REGLAGE POIGNEE - GRIFFEINSTELLVARIANTE

| Pos | Code | Q.ty | Descrizione | Description | Description | Beschreibung |
|-----|------------|------|-------------------------|-------------------------|------------------------------|-----------------------|
| 51 | 81006510/0 | 1 | MANICO, PARTE INFERIORE | HANDLE, LOWER PART | MANCHERON, PARTIE INFERIEURE | HOLM, UNTERTEIL |
| 52 | 22785081/0 | 2 | SUPPORTO ESTERNO | SUPPORT, EXTERNAL | SUPPORT EXTERNE | HALTER, AUßERE |
| 53 | 22785082/0 | 1 | SUPPORTO INTERNO DX | SUPPORT, RIGHT INTERNAL | SUPPORT INTERNE DROIT | HALTER, INNERE RECHTS |
| 54 | 22785083/1 | 1 | SUPPORTO INTERNO SX | SUPPORT, LEFT INTERNAL | SUPPORT INTERNE GAUCHE | HALTER, INNERE LINKS |
| 56 | 22551575/0 | 2 | PIASTRINA INTERNA | PLATE, INSIDE | PLAQUETTE INTERNE | PLATTE, INNERE |
| 57 | 12793701/0 | 2 | VITE | SCREW | VIS | SCHRAUBE |
| 58 | 12155000/0 | 2 | DADO | NUT | ECROU | MUTTER |
| 59 | 12521350/0 | 2 | RONDELLA | WASHER | RONDELLE | SCHEIBE |
| 60 | 12691810/0 | 2 | VITE | SCREW | VIS | SCHRAUBE |
| 61 | 22399803/0 | 2 | MANOPOLINA | KNOB | POIGNEE | GRIFF |
| 62 | 12293202/0 | 2 | DADO | NUT | ECROU | MUTTER |
| - | 81008622/0 | 1 | DOTAZIONE VITERIA | OUTFIT, SCREWS | DOTATION VISSERIE | SATZ, SCHRAUBEN |

01T.002

- H 350
- K 350
- K 390
- C 350
- C 390
- NG 410 / 410 S
- NG 460
- NG 414
- NG 464
- NG 464 TR
- NG 464 TR-E
- NG 504
- NG 504 TR
- NG 504 TR-E
- R 430 / 430 S
- R 480
- R 430 TR
- R 434
- R 484
- R 534
- R 484 TR / TR-E
- R 534 TR / TR-E
- RL 430 / 430 S
- RL 480
- RL 430 TR
- RL 434
- RL 484
- RL 534
- RL 484 TR
- RL 484 TR-E
- RL 534 TR
- RL 534 TR-E
- TD 430 / 430 S
- TD 480
- TD 430 TR
- TD 434
- TD 484
- TD 534
- TD 484 TR
- TD 484 TR-E
- TD 534 TR
- TD 534 TR-E
- TDL 430 / 430 S
- TDL 480
- TDL 430 TR
- TDL 434
- TDL 484
- TDL 534
- TDL 484 TR
- TDL 484 TR-E
- TDL 534 TR
- TDL 534 TR-E
- CA 430
- CA 480
- CA 434
- CA 484
- CA 534
- CA 430 TR
- CA 434 TR
- CA 484 TR / TR-E
- CA 534 TR / TR-E
- CAL 430
- CAL 480
- CAL 434
- CAL 484
- CAL 534
- CAL 430 TR
- CAL 434 TR
- CAL 484 TR / TR-E
- CAL 534 TR / TR-E
- T 430 / 430 S
- T 480
- T 434
- T 484
- T 484 TR
- T 484 TR-E
- PAN 504
- PAN 504 TR
- PAN 504 TR-E
- PAN 504 TR-E 3S
- PAN 504 TR 3S
- NP 534
- NP 534 TR
- NP 534 TR-E
- NP 534 TR 3S
- NP 534 TR-E 3S
- S 474 L

1

2

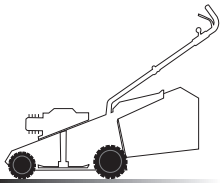
3

4

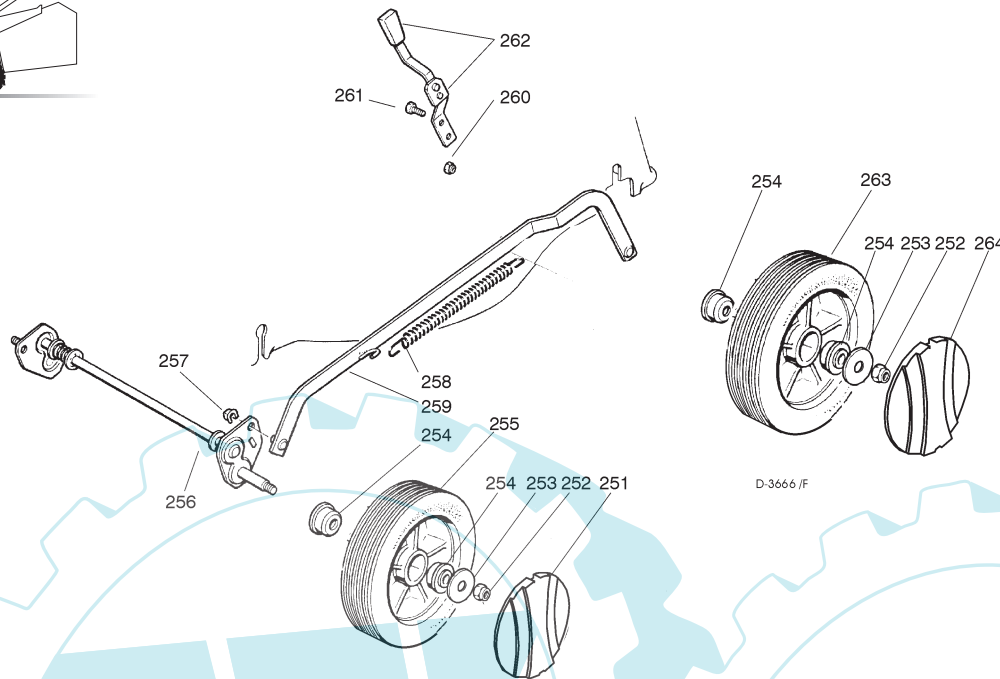
5

6

2



02D.006



D-3666 /F

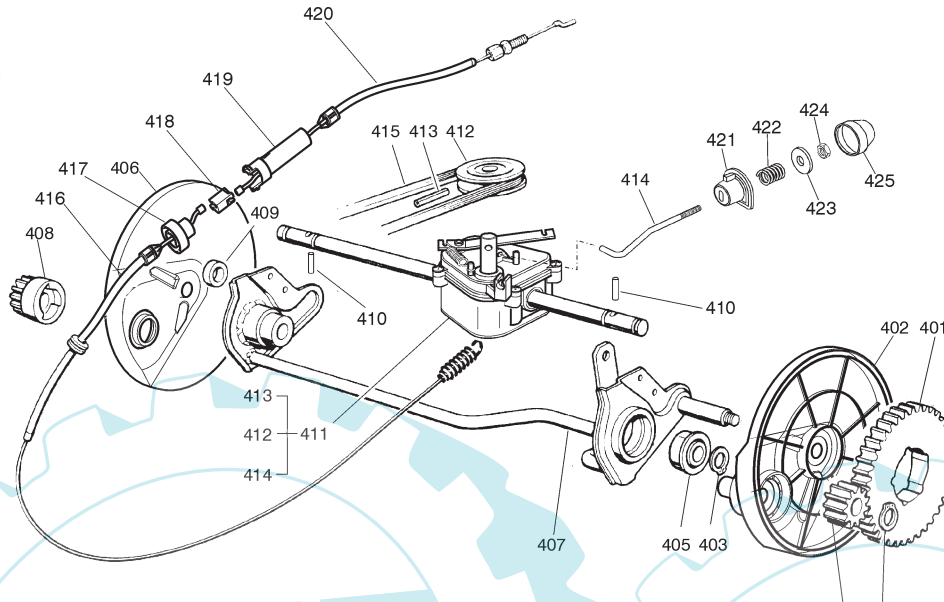
02T.006

| Pos | Code | Q.ty | Descrizione | Description | Description | Beshreibung | |
|-----|-------------|------|-----------------------------|--------------------------------|-------------------------------|-------------------------|-------|
| 251 | 22110254/ 0 | 2 | COPRIMOZZO GIALLO | HUB CAP YELLOW | COUVRE-MOYEU JAUNE | RADKAPPE GELBE | Ø 170 |
| - | 22110252/ 0 | 2 | COPRIMOZZO BIANCO | HUB CAP WHITE | COUVRE-MOYEU BLANC | RADKAPPE WEIÙE | Ø 170 |
| - | 22110255/ 0 | 2 | COPRIMOZZO ROSSO | HUB CAP RED | COUVRE-MOYEU ROUGE | RADKAPPE ROTE | Ø 170 |
| 252 | 12155000/ 0 | 4 | DADO | NUT | ECROU | MUTTER | |
| 253 | 12523060/ 0 | 4 | RONDELLA | WASHER | RONDELLE | SCHIBE | |
| 254 | 22034508/ 0 | 8 | BUSSOLA | BUSH | DOUILLE | BUCHSE | |
| 255 | 81007326/ 0 | 2 | RUOTA Ø 170 | WHEEL Ø 170 | ROUE Ø 170 | RAD Ø 170 | |
| 256 | 81001248/ 0 | 1 | ASSE RUOTE ANTERIORE | AXLE, FRONT WHEELS | AXE ROUES AVANT | ACHSE, VORDERRAD | |
| 257 | 12436050/ 0 | 2 | PIASTRINA | PLATE | PLAQUETTE | PLÄTTCHEN | |
| 258 | 22446180/ 0 | 1 | MOLLA | SPRING | RESSORT | FEDER | |
| 259 | 81001244/ 0 | 1 | ASTA COMANDO REGOL. ALTEZZA | ROD, HEIGHT ADJUSTMENT CONTROL | TIGE COMMANDE REGLAGE HAUTEUR | STANGE, HÖHEVERSTELLUNG | |
| 260 | 12154330/ 0 | 2 | DADO | NUT | ECROU | MUTTER | |
| 261 | 12789000/ 0 | 2 | VITE | SCREW | VIS | SCHRAUBE | |
| 262 | 81003279/ 2 | 1 | LEVA REGOLAZIONE ALTEZZA | LEVER, HEIGHT ADJUSTMENT | LEVIER, REGLAGE HAUTEUR | HEBEL, HÖHEVERSTELLUNG | |
| 263 | 81007328/ 0 | 2 | RUOTA Ø 210 | WHEEL Ø 210 | ROUE Ø 210 | RAD Ø 210 | |
| 264 | 22110253/ 0 | 2 | COPRIMOZZO GIALLO | HUB CAP YELLOW | COUVRE-MOYEU JAUNE | RADKAPPE GELBE | Ø 210 |
| - | 22110251/ 0 | 2 | COPRIMOZZO BIANCO | HUB CAP WHITE | COUVRE-MOYEU BLANC | RADKAPPE WEIÙE | Ø 210 |
| - | 22110256/ 0 | 2 | COPRIMOZZO ROSSO | HUB CAP RED | COUVRE-MOYEU ROUGE | RADKAPPE ROTE | Ø 210 |

- H 350
- K 350
- K 390
- C 350
- C 390
- NG 410 / 410 S
- NG 460
- NG 414
- NG 464
- NG 464 TR
- NG 464 TR-E
- NG 504
- NG 504 TR
- NG 504 TR-E
- R 430 / 430 S
- R 480
- R 430 TR
- R 434
- R 484
- R 534
- R 484 TR / TR-E
- R 534 TR / TR-E
- RL 430 / 430 S
- RL 480
- RL 430 TR
- RL 434
- RL 484
- RL 534
- RL 484 TR
- RL 484 TR-E
- RL 534 TR
- RL 534 TR-E
- TD 430 / 430 S
- TD 480
- TD 430 TR
- TD 434
- TD 484
- TD 534
- TD 484 TR
- TD 484 TR-E
- TD 534 TR
- TD 534 TR-E
- TDL 430 / 430 S
- TDL 480
- TDL 430 TR
- TDL 434
- TDL 484
- TDL 534
- TDL 484 TR
- TDL 484 TR-E
- TDL 534 TR
- TDL 534 TR-E
- CA 430
- CA 480
- CA 434
- CA 484
- CA 534
- CA 430 TR
- CA 434 TR
- CA 484 TR / TR-E
- CA 534 TR / TR-E
- CAL 430
- CAL 480
- CAL 434
- CAL 484
- CAL 534
- CAL 430 TR
- CAL 434 TR
- CAL 484 TR / TR-E
- CAL 534 TR / TR-E
- T 430 / 430 S
- T 480
- T 434
- T 484
- T 484 TR
- T 484 TR-E
- PAN 504
- PAN 504 TR
- PAN 504 TR-E
- PAN 504 TR-E 3S
- PAN 504 TR 3S
- NP 534
- NP 534 TR
- NP 534 TR-E
- NP 534 TR 3S
- NP 534 TR-E 3S
- S 474 L

3

03D.002

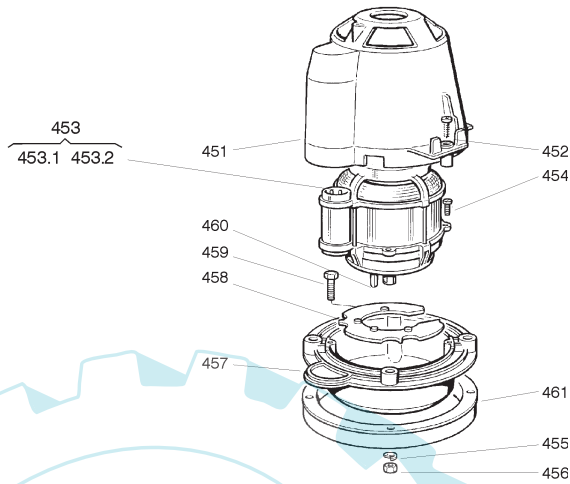
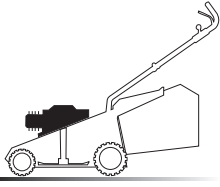


03T.002

| Pos | Code | Q.ty | Descrizione | Description | Description | Beschreibung |
|-----|-------------|------|---------------------------------|-------------------------|-------------------------------------|-----------------------|
| 401 | 22120105/ 1 | 2 | CORONA | RING GEAR | COURONNE | KRANZ |
| 402 | 22600092/ 0 | 1 | PROTEZIONE RUOTE SINISTRA | PROTECTION, LEFT WHEEL | PROTECTION ROUE GAUCHE | SCHÜTZ, LINKES RÄDER |
| 403 | 12608600/ 0 | 4 | SEEGER | SEEGER | SEEGER | SEEGER |
| 404 | 22570120/ 1 | 1 | PIGNONE SINISTRO | PINION LEFT | PIGNON GAUCHE | RITZEL LINKES |
| 405 | 19216035/ 0 | 2 | CUSCINETTO | BEARING | COUSSINET | LAGER |
| 406 | 22600093/ 0 | 1 | PROTEZIONE RUOTE DESTRA | PROTECTION, RIGHT WHEEL | PROTECTION ROUE DROITE | SCHÜTZ, RECHTES RÄDER |
| 407 | 81000147/ 0 | 1 | ASSE RUOTE POSTERIORE | AXLE, REAR WHEELS | AXE ROUES ARRIERE | ACHSE, HINTERRAD |
| 408 | 22570110/ 1 | 1 | PIGNONE DESTRO | PINION RIGHT | PIGNON DROITE | RITZEL RECHTES |
| 409 | 22170800/ 0 | 1 | DISTANZIALE | SPACER | ENTRETOISE | DISTANZRING |
| 410 | 22753000/ 0 | 2 | SPINA | PIN | GOUPILLE | STIFT |
| 411 | 81003060/ 1 | 1 | GRUPPO TRAZIONE (ALLUMINIO) | GEAR BOX (ALUMINIUM) | GROUPE TRACTION (ALUMINIUM) | ANTRIEB (ALUMINIUM) |
| - | 81003059/ 0 | 1 | GRUPPO TRAZIONE (PLASTICA) | GEAR BOX (PLASTIC) | GROUPE TRACTION (PLASTIQUE) | ANTRIEB (KUNSTSTOFF) |
| 412 | 22001904/ 0 | 1 | PULEGGIA | PULLEY | POULIE | RIEMENSCHLEIBE |
| 413 | 12645705/ 0 | 1 | SPINA | PIN | GOUPILLE | STIFT |
| 414 | 22033280/ 0 | 1 | ASTA REGOLAZIONE | ADJUSTMENT ROD | TIGE REGLAGE | VERSTELLUNGSTANGE |
| 415 | 35063710/ 0 | 1 | CINGHIA Z 25 | BELT Z 25 | COURROIE Z 25 | RIEMEN Z 25 |
| 416 | 81001138/ 0 | 1 | CAVO COMANDO TRAZIONE INFERIORE | CABLE, REAR DRIVE LOWER | CÂBLE, COMMANDE TRACTION INFERIEURE | KABEL, ANTRIEB UNTER |
| 417 | 22246031/ 0 | 1 | GIUNZIONE INFERIORE | LOWER JOINT | CONNECTION INFÉRIEUR | VERBINDUNG OBEN |
| 418 | 22042040/ 0 | 1 | BUSSOLA ISOLAMENTO | ISOLATION COMPASS | BOUSSOLE DE ISOLEMENT | ABSONDERUNG KOMPAS |
| 419 | 22246030/ 0 | 1 | GIUNZIONE SUPERIORE | UPPER JOINT | CONNECTION SUPÉRIEUR | VERBINDUNG UNTER |
| 420 | 81001150/ 0 | 1 | CAVO COMANDO TRAZIONE SUPERIORE | CABLE, REAR DRIVE UPPER | CÂBLE, COMMANDE TRACTION SUPERIEURE | KABEL, ANTRIEB OBER |
| 421 | 22041957/ 0 | 1 | BUSSOLA | BUSH | DOUILLE | BUCHSE |
| 422 | 22450063/ 0 | 1 | MOLLA | SPRING | RESSORT | FEDER |
| 423 | 22680009/ 0 | 1 | RONDELLA | WASHER | RONDELLE | SCHEIBE |
| 424 | 12154510/ 0 | 1 | DADO | NUT | ECROU | MUTTER |
| 425 | 22110230/ 0 | 1 | TAPPO | CAP | BOUCHON | GUMMISTOPFEN |

- H 350
- K 350
- K 390
- C 350
- C 390
- NG 410 / 410 S
- NG 460
- NG 414
- NG 464
- NG 464 TR
- NG 464 TR-E
- NG 504
- NG 504 TR
- NG 504 TR-E
- R 430 / 430 S
- R 480
- R 430 TR
- R 434
- R 484
- R 534
- R 484 TR / TR-E
- R 534 TR / TR-E
- RL 430 / 430 S
- RL 480
- RL 430 TR
- RL 434
- RL 484
- RL 534
- RL 484 TR
- RL 484 TR-E
- RL 534 TR
- RL 534 TR-E
- TD 430 / 430 S
- TD 480
- TD 430 TR
- TD 434
- TD 484
- TD 534
- TD 484 TR
- TD 484 TR-E
- TD 534 TR
- TD 534 TR-E
- TDL 430 / 430 S
- TDL 480
- TDL 430 TR
- TDL 434
- TDL 484
- TDL 534
- TDL 484 TR
- TDL 484 TR-E
- TDL 534 TR
- TDL 534 TR-E
- CA 430
- CA 480
- CA 434
- CA 484
- CA 534
- CA 430 TR
- CA 434 TR
- CA 484 TR / TR-E
- CA 534 TR / TR-E
- CAL 430
- CAL 480
- CAL 434
- CAL 484
- CAL 534
- CAL 430 TR
- CAL 434 TR
- CAL 484 TR / TR-E
- CAL 534 TR / TR-E
- T 430 / 430 S
- T 480
- T 434
- T 484
- T 484 TR
- T 484 TR-E
- PAN 504
- PAN 504 TR
- PAN 504 TR-E
- PAN 504 TR-E 3S
- PAN 504 TR 3S
- NP 534
- NP 534 TR
- NP 534 TR-E
- NP 534 TR 3S
- NP 534 TR-E 3S
- S 474 L

4



04D.002

04T.001

| Pos | Code | Q.ty | Descrizione | Description | Description | Beschreibung |
|-------|-------------|------|---------------------------|--------------------------|---------------------------|--------------------------|
| 451 | 22785061/ 0 | 1 | SUPPORTO CAPOTTINA | SUPPORT, COVER | SUPPORT CAPOT | HALTER, HAUBE |
| 452 | 12728710/ 0 | 4 | VITE | SCREW | VIS | SCHRAUBE |
| 453.1 | 18740049/ 0 | 1 | VENTOLA PER MOTORE IBME | FAN IBMEI MOTOR | VENTILATEUR IBMEI MOTEUR | LÜFTER IBMEI MOTOR |
| 453 | 18563070/ 1 | 1 | MOTORE IBMEI 1600W (230V) | IBMEI MOTOR 1600W (230V) | MOTEUR IBMEI 1600W (230V) | MOTOR IBMEI 1600W (230V) |
| 453.2 | 18222038/ 0 | 1 | CONDENSATORE 20 µF | CONDENSER 20 µF | CONDENSEUR 20 µF | KONDENSATOR 20 µF |
| 454 | 12735410/ 0 | 4 | VITE | SCREW | VIS | SCHRAUBE |
| 455 | 12583500/ 0 | 4 | GROWER | GROWER | GROWER | FEDERRING |
| 456 | 12293200/ 0 | 4 | DADO | NUT | ECROU | MUTTER |
| 457 | 22207211/ 3 | 1 | FLANGIA | FLANGE | BRIDE | FLANSCH |
| 458 | 22720360/ 1 | 1 | SCHERMO VENTILAZIONE | VENTILATION SCREEN | ECRAN VENTILATION | LÜFTUNGSSCHIRM |
| 459 | 12691800/ 0 | 4 | VITE (M8X60) | SCREW (M8X60) | VIS (M8X60) | SCHRAUBE (M8X60) |
| 460 | 12139440/ 0 | 1 | LINGUETTA | FEATHER | CLAVETTE | KEIL |
| 461 | 81003471/ 0 | 1 | DISTANZIALE | SPACER | ENTRETOISE | DISTANZRING |

- H 350
- K 350
- K 390
- C 350
- C 390
- NG 410 / 410 S
- NG 460
- NG 414
- NG 464
- NG 464 TR
- NG 464 TR-E
- NG 504
- NG 504 TR
- NG 504 TR-E
- R 430 / 430 S
- R 480
- R 430 TR
- R 434
- R 484
- R 534
- R 484 TR / TR-E
- R 534 TR / TR-E
- RL 430 / 430 S
- RL 480
- RL 430 TR
- RL 434
- RL 484
- RL 534
- RL 484 TR
- RL 484 TR-E
- RL 534 TR
- RL 534 TR-E
- TD 430 / 430 S
- TD 480
- TD 430 TR
- TD 434
- TD 484
- TD 534
- TD 484 TR
- TD 484 TR-E
- TD 534 TR
- TD 534 TR-E
- TDL 430 / 430 S
- TDL 480
- TDL 430 TR
- TDL 434
- TDL 484
- TDL 534
- TDL 484 TR
- TDL 484 TR-E
- TDL 534 TR
- TDL 534 TR-E
- CA 430
- CA 480
- CA 434
- CA 484
- CA 534
- CA 430 TR
- CA 434 TR
- CA 484 TR / TR-E
- CA 534 TR / TR-E
- CAL 430
- CAL 480
- CAL 434
- CAL 484
- CAL 534
- CAL 430 TR
- CAL 434 TR
- CAL 484 TR / TR-E
- CAL 534 TR / TR-E
- T 430 / 430 S
- T 480
- T 434
- T 484
- T 484 TR
- T 484 TR-E
- PAN 504
- PAN 504 TR
- PAN 504 TR-E
- PAN 504 TR-E 3S
- PAN 504 TR 3S
- NP 534
- NP 534 TR
- NP 534 TR-E
- NP 534 TR 3S
- NP 534 TR-E 3S
- S 474 L

1

2

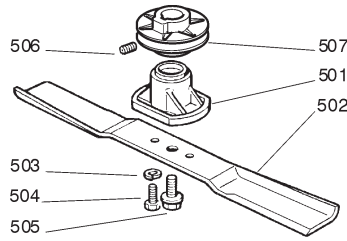
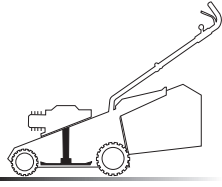
3

4

5

6

5



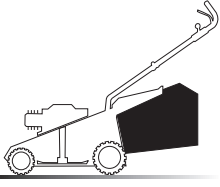
06D.004

05T.007

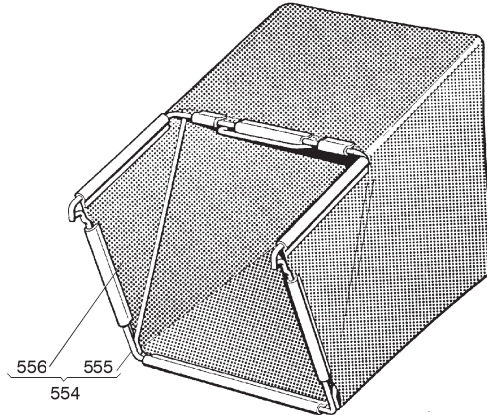
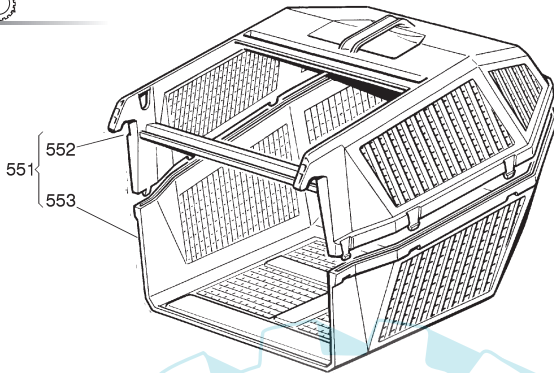
| Pos | Code | Q.ty | Descrizione | Description | Description | Beschreibung |
|-----|-------------|------|-------------------|----------------|---------------|-----------------------|
| 501 | 22463186/ 2 | 1 | MOZZO | HUB | MOYEU | HALTER |
| 502 | 81004341/ 2 | 1 | COLTELLO STANDARD | BLADE STANDARD | LAME STANDARD | MESSER STANDARD 41 cm |
| 502 | 81004396/ 0 | 1 | COLTELLO ALETTATO | BLADE WINGED | LAME AILETTÉE | MESSER FLÜGEL 41 cm |
| 503 | 12583500/ 0 | 2 | GROWER | GROWER | GROWER | FEDERRING |
| 504 | 12793101/ 0 | 2 | VITE | SCREW | VIS | SCHRAUBE |
| 505 | 81004352/ 0 | 1 | VITE | SCREW | VIS | SCHRAUBE |
| 506 | 12713801/ 0 | 1 | GRANO | DOWEL | GRAIN | STIFT |
| 507 | 22601911/ 0 | 1 | PULEGGIA | PULLEY | POUILE | RIEMENSCHIBE |

- H 350
- K 350
- K 390
- C 350
- C 390
- NG 410 / 410 S
- NG 460
- NG 414
- NG 464
- NG 464 TR
- NG 464 TR-E
- NG 504
- NG 504 TR
- NG 504 TR-E
- R 430 / 430 S
- R 480
- R 430 TR
- R 434
- R 484
- R 534
- R 484 TR / TR-E
- R 534 TR / TR-E
- RL 430 / 430 S
- RL 480
- RL 430 TR
- RL 434
- RL 484
- RL 534
- RL 484 TR
- RL 484 TR-E
- RL 534 TR
- RL 534 TR-E
- TD 430 / 430 S
- TD 480
- TD 430 TR
- TD 434
- TD 484
- TD 534
- TD 484 TR
- TD 484 TR-E
- TD 534 TR
- TD 534 TR-E
- TDL 430 / 430 S
- TDL 480
- TDL 430 TR
- TDL 434
- TDL 484
- TDL 534
- TDL 484 TR
- TDL 484 TR-E
- TDL 534 TR
- TDL 534 TR-E
- CA 430
- CA 480
- CA 434
- CA 484
- CA 534
- CA 430 TR
- CA 434 TR
- CA 484 TR / TR-E
- CA 534 TR / TR-E
- CAL 430
- CAL 480
- CAL 434
- CAL 484
- CAL 534
- CAL 430 TR
- CAL 434 TR
- CAL 484 TR / TR-E
- CAL 534 TR / TR-E
- T 430 / 430 S
- T 480
- T 434
- T 484
- T 484 TR
- T 484 TR-E
- PAN 504
- PAN 504 TR
- PAN 504 TR-E
- PAN 504 TR-E 3S
- PAN 504 TR 3S
- NP 534
- NP 534 TR
- NP 534 TR-E
- NP 534 TR 3S
- NP 534 TR-E 3S
- S 474 L

6



06D.001



06T.001

| Pos | Code | Q.ty | Descrizione | Description | Description | Beshreibung |
|-----|------------|------|-------------------------|--------------------------------|------------------------|-----------------|
| 551 | 98005000/1 | 1 | SACCO, COMPLETO | GRASSCATCHER, COMPLETI | SAC, COMPLETE | SACK, KOMPLETTE |
| 552 | 22486076/0 | 1 | SACCO, PARTE SUPERIORE | GRASS-BOX, UPPER PART | SAC, PARTIE SUPERIEURE | KORB, OBERTEIL |
| 553 | 22486077/0 | 1 | SACCO, PARTE INFERIORE | GRASS-BOX, LOWER PART | SAC, PARTIE INFERIEURE | KORB, UNTERTEIL |
| 554 | 98004000/0 | 1 | SACCO IN TELA, COMPLETO | GRASSCATCHER, CANVASS COMPLETE | SAC EN TOILE, COMPLETE | SACK, KOMPLETTE |
| 555 | 81006408/0 | 1 | TELAIO SACCO | CHASSIS BOX | CHÂSSIS BAC | RAHMEN SACK |
| 556 | 81002105/2 | 1 | SACCO, TELA | BOX, FABRIC | SAC, TOILE | SACK, TUCK |

- H 350
- K 350
- K 390
- C 350
- C 390
- NG 410 / 410 S
- NG 460
- NG 414
- NG 464
- NG 464 TR
- NG 464 TR-E
- NG 504
- NG 504 TR
- NG 504 TR-E
- R 430 / 430 S
- R 480
- R 430 TR
- R 434
- R 484
- R 534
- R 484 TR / TR-E
- R 534 TR / TR-E
- RL 430 / 430 S
- RL 480
- RL 430 TR
- RL 434
- RL 484
- RL 534
- RL 484 TR
- RL 484 TR-E
- RL 534 TR
- RL 534 TR-E
- TD 430 / 430 S
- TD 480
- TD 430 TR
- TD 434
- TD 484
- TD 534
- TD 484 TR
- TD 484 TR-E
- TD 534 TR
- TD 534 TR-E
- TDL 430 / 430 S
- TDL 480
- TDL 430 TR
- TDL 434
- TDL 484
- TDL 534
- TDL 484 TR
- TDL 484 TR-E
- TDL 534 TR
- TDL 534 TR-E
- CA 430
- CA 480
- CA 434
- CA 484
- CA 534
- CA 430 TR
- CA 434 TR
- CA 484 TR / TR-E
- CA 534 TR / TR-E
- CAL 430
- CAL 480
- CAL 434
- CAL 484
- CAL 534
- CAL 430 TR
- CAL 434 TR
- CAL 484 TR / TR-E
- CAL 534 TR / TR-E
- T 430 / 430 S
- T 480
- T 434
- T 484
- T 484 TR
- T 484 TR-E
- PAN 504
- PAN 504 TR
- PAN 504 TR-E
- PAN 504 TR-E 3S
- PAN 504 TR 3S
- NP 534
- NP 534 TR
- NP 534 TR-E
- NP 534 TR 3S
- NP 534 TR-E 3S
- S 474 L

1

2

3

4

5

6